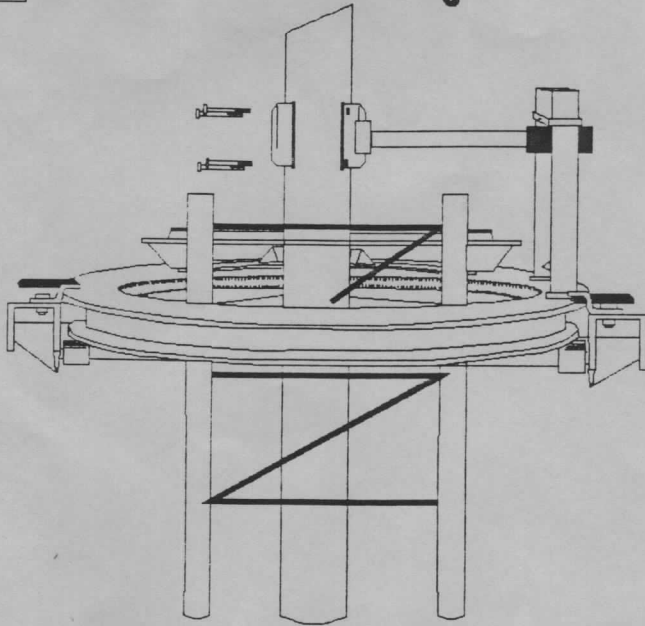
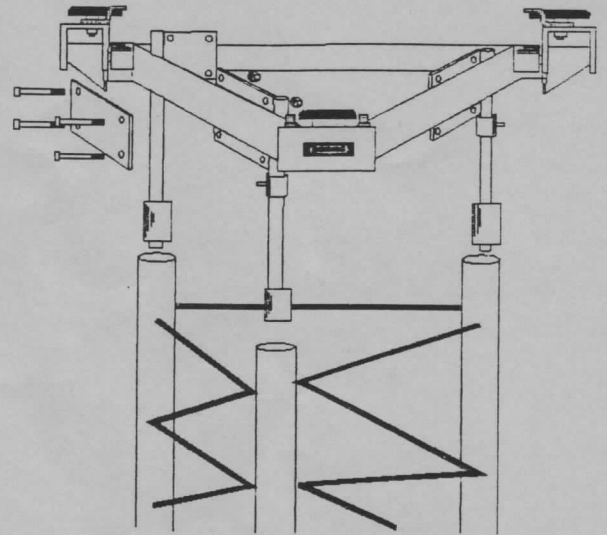


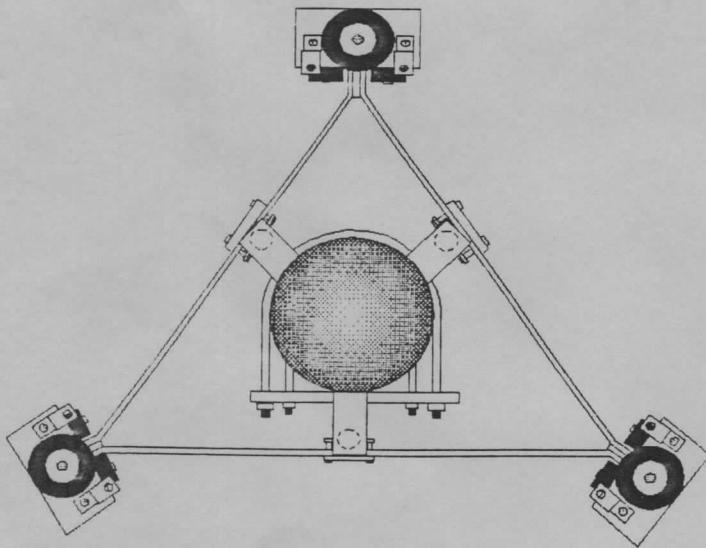
"check the advantages"



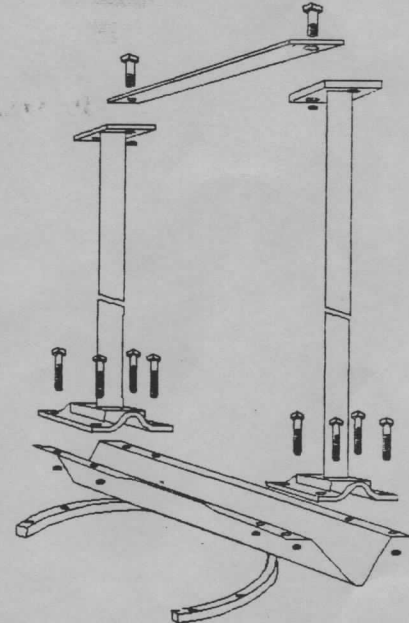
R1043-001 The **Mast Twister** allows you to turn your mast at the top of the tower with the powerful TIC Ring plus having the ability to mount another antenna beam in the boom cradle rotating the mast and the side mount together.



R1044-001 Use the **Leg Inserts** to mount the TIC Ring at the top of various sections of your crank up tower. With these inserts your tower can be raised and lowered without interference from the TIC Ring mount.



R1054-001 With the use of the **Pole Mount Collar** you can mount the TIC Ring on wood or metal poles



R1042-001 (Model 1022)
R1095-001 (Model 1032)
Regular Duty Truss Assembly Constructed with 1 1/2" O.D. with 1/16" wall, 5' high.

R1075-001 (Model 1022)
R1096-001 (Model 1032)
Heavy Duty Truss Assembly Constructed of 2" O.D. with 3/16" wall, 5' high

1-800-TIC-RING