



TIC GENERAL, INC.

Model 2100B Controller

*True Analog Directional Control
for the TIC Ringrotor®*



For use with TIC Ringrotor® models 1022, 1032 and 1048

Index

Installation Notes	1
Installation Instructions	2
Controller Specifications	3
Controller Wiring Diagram	4
Controller Schematic	5

Installation Notes

Upon receipt of your Model 2100B Controller, inspect the Controller carefully for shipping damage. If damage is evident, do not attempt to use the Controller. Retain all packaging materials and notify the carrier of the damage.

Follow all installation instructions carefully and in sequence. Failure to do so can result in damage to equipment.

WARNING

When operating the Controller with the cover removed, lethal voltages are present. Only qualified persons should attempt repairs.

Visit TIC General, Inc. on the web to find answers to commonly asked installation questions.
www.ticgen.com/FAQs

Installation Instructions

1.) Connect the Controller to the AC source and set the AC switch ON.

Controller meter tilts slightly indicating power is applied

2.) Examine meter read-out; meter should now indicate approximately mid-scale.

If meter pegs to either end of the scale do not attempt to operate the Controller. Check for improper wire termination's or open circuits.

3.) Set the preset Controller to 180'(S) in the CCW direction, and momentarily depress the START switch.

Meter needle and Ringrotor[®] immediately start to move in the CCW direction

4.) Adjust the zero meter calibration adjustment on the left side of the Controller to obtain an exact 180'(S) indication at the left end of the meter scale.

Meter adjusts accordingly

5.) Set the Controller to 180'(S) in the CW direction and depress the START switch

Meter needle and Ringrotor[®] immediately start to move in the CW direction

6.) When the LED turns off, adjust the full scale meter calibration adjustment to obtain an exact 180' indication at the right end of the scale.

Meter adjusts accordingly

7.) Repeat steps 3 through 6 until no further adjustment is necessary.

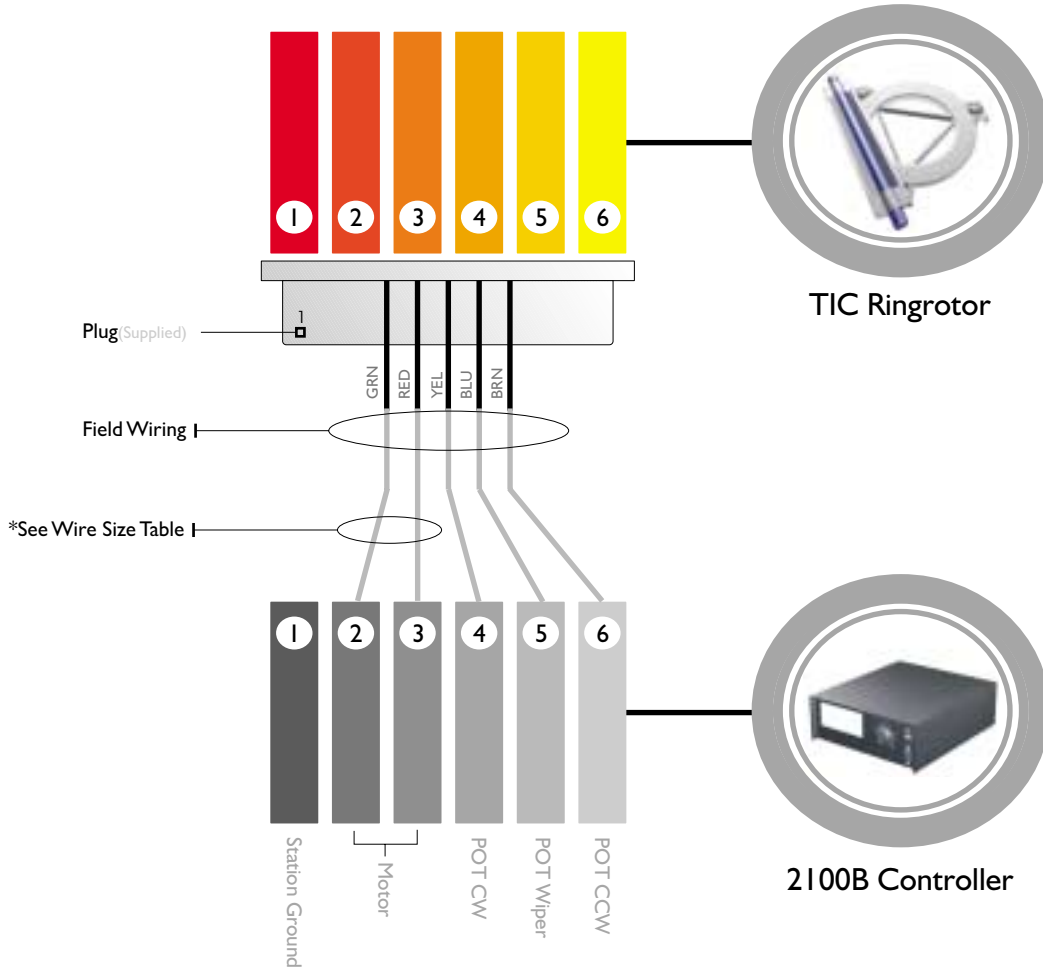
Installation Complete

Controller Specifications

Power Source	115 VAC +/- 10V at 60Hz
Power Consumption	200 watts [maximum]
Output Voltage	24VDC at full rated current
Output Current	7.5 ADC [maximum]
Transient Protection	Varistors on power and sensor lines
Meter Accuracy:	+/- 5 % of range*
Preset Control Accuracy	+/- 10% of range

*Note: Does not include calibration or alignment errors

Controller Wiring Diagram



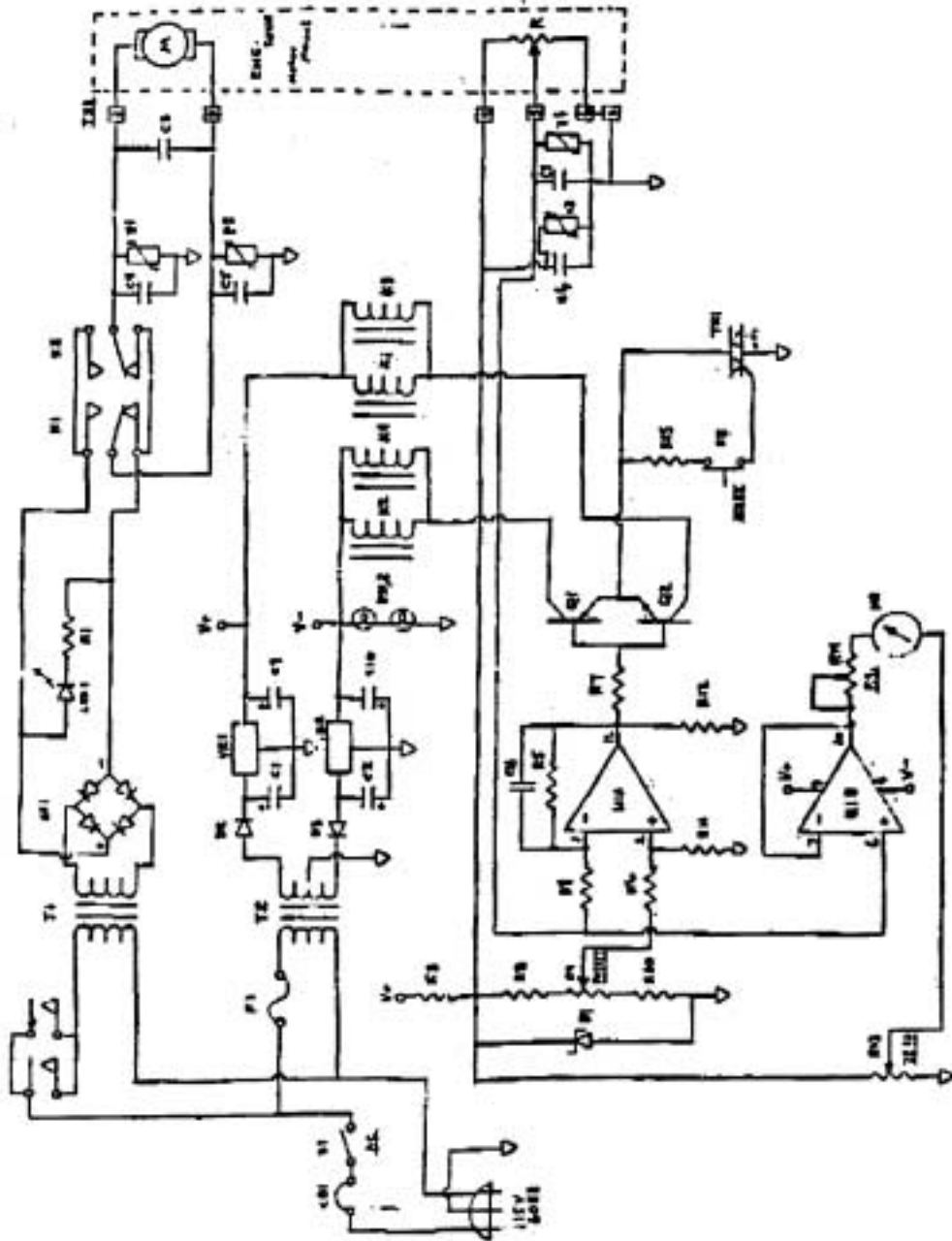
Controller Wire Size Table

Terminals 2 & 3 Single Motor		Terminals 2 & 3 Second Motor	
to 400 ft.	18GA.	to 300 ft.	18GA.
400 to 500 ft..	16GA.	300 to 450 ft..	16GA.
500 to 800 ft..	14GA.	450 to 700 ft..	14GA.



Field Wiring

Controller Schematic



TIC General, Inc.

1815 Robinhood Dr.

P.O. Box 389

Thief River Falls, MN 56701

1 800 TIC RING
www.ticgen.com