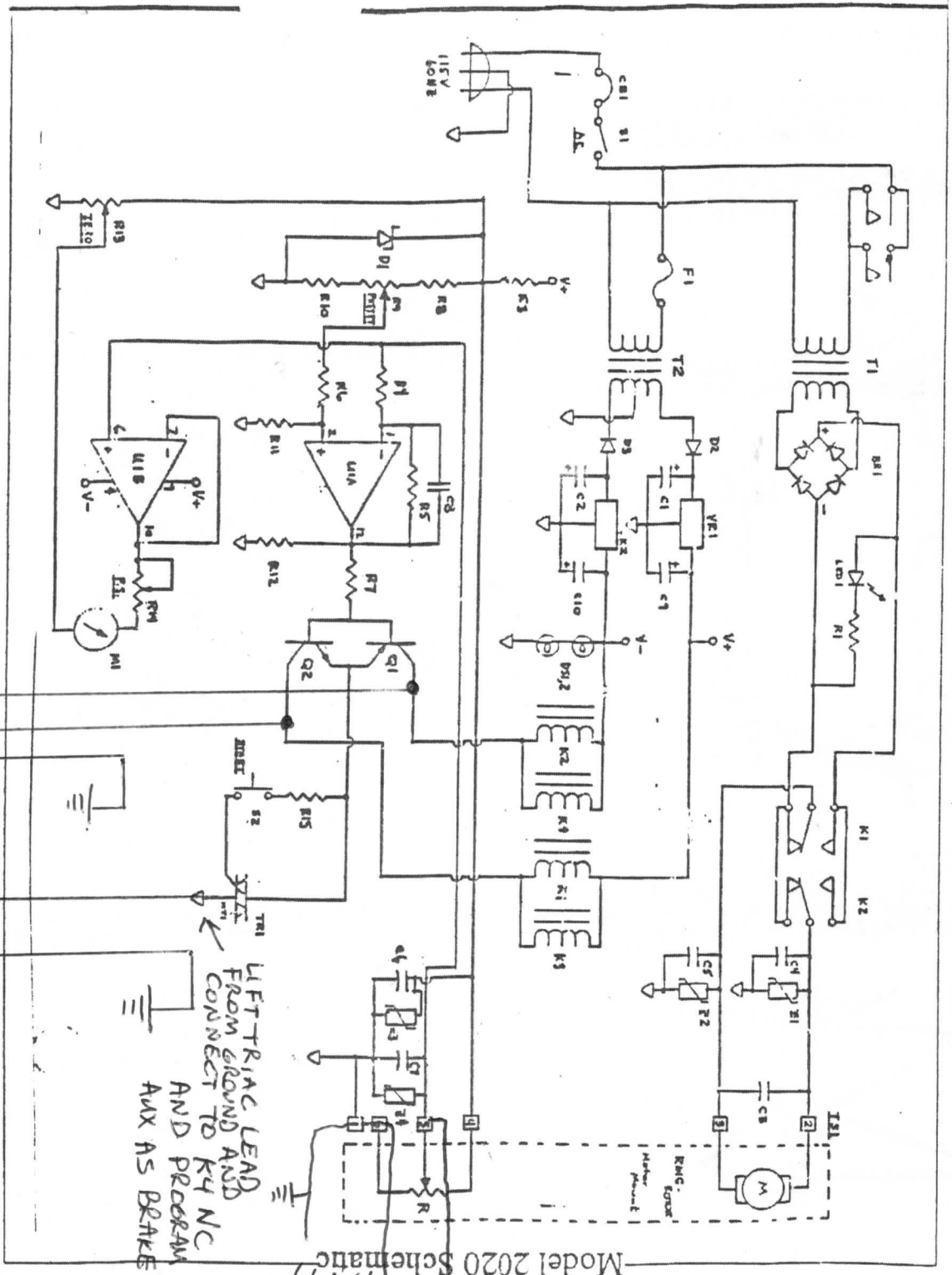


Operational Warning
 WARNING...IF AT ANY TIME DURING OPERATION THE NEEDLE ON THE CONTROLLER PEGS TO EITHER END OF THE SCALE, OR IF THE NEEDLE FAILS TO MOVE WHEN THE LED IS ON, SWITCH THE "AC" OFF IMMEDIATELY. FAILURE TO DO SO COULD ALLOW THE ROTOR TO ROTATE MORE THAN 360°. THIS COULD RESULT IN BROKEN ANTENNA COAX OR DAMAGE TO THE ANTENNA. THE CAUSE FOR THESE MALFUNCTIONS CAN BE BROKEN OR IMPROPER WIRING BETWEEN CONTROLLER AND ROTOR OR ELECTRONIC FAILURE.



Model 2020 Schematic

543
 544
 545

LEFT TRIAC LEAD FROM GROUND AND CONNECT TO K4 NC AND PROGRAM AUX AS BRAKE

EA4TX RC1 - USB
 ON THE RING
 2020 ANALOG
 CONTROLLER
 N302

K5 51-8
 K5 51-9
 CCW

K3 51-2
 K3 51-3
 CW

K4-51-5 "Aux"
 K4-51-4
 NC